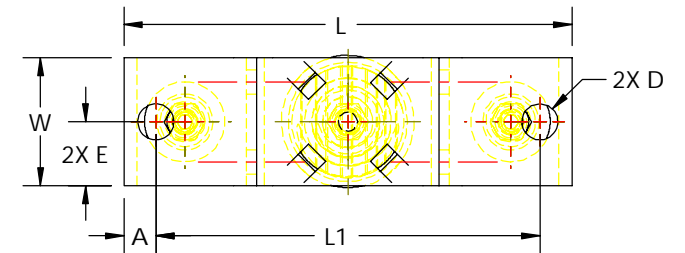
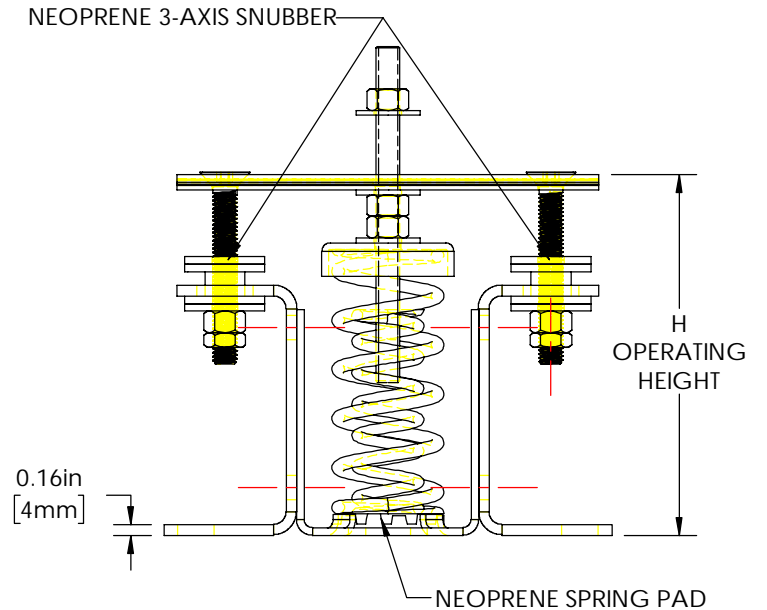
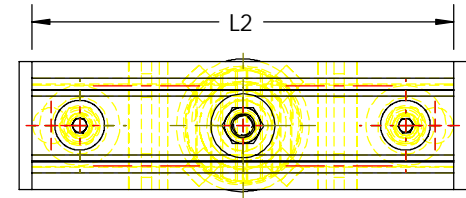
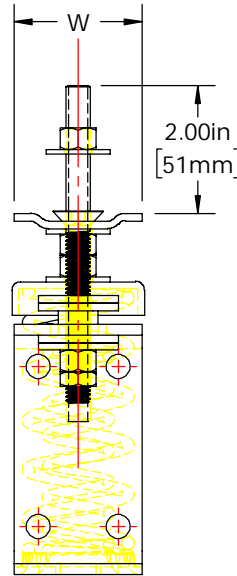
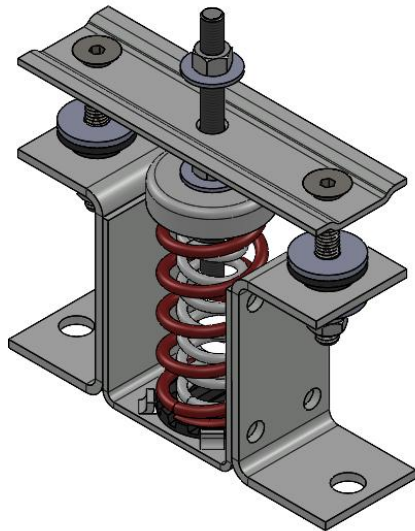


USE WITH SHEETS 2 AND 3.

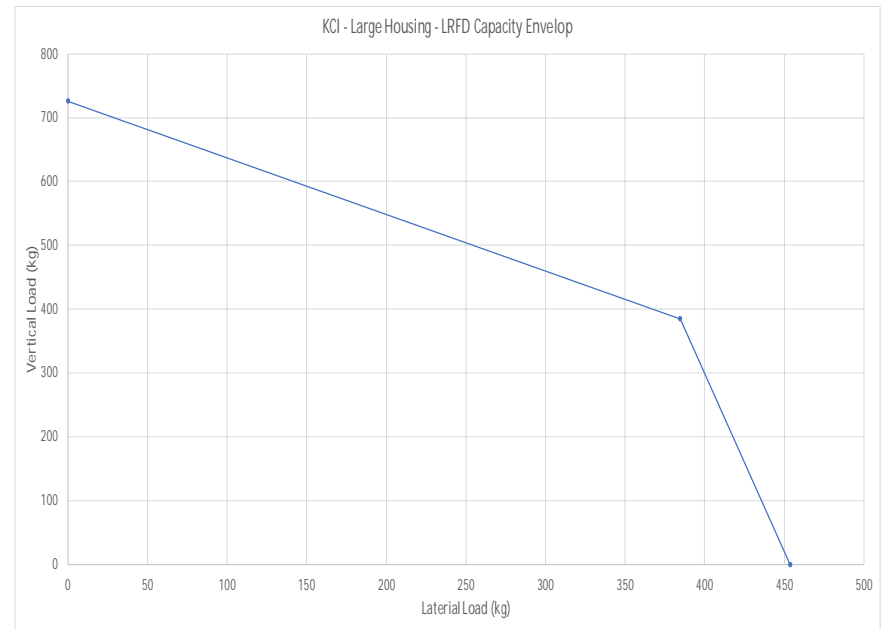
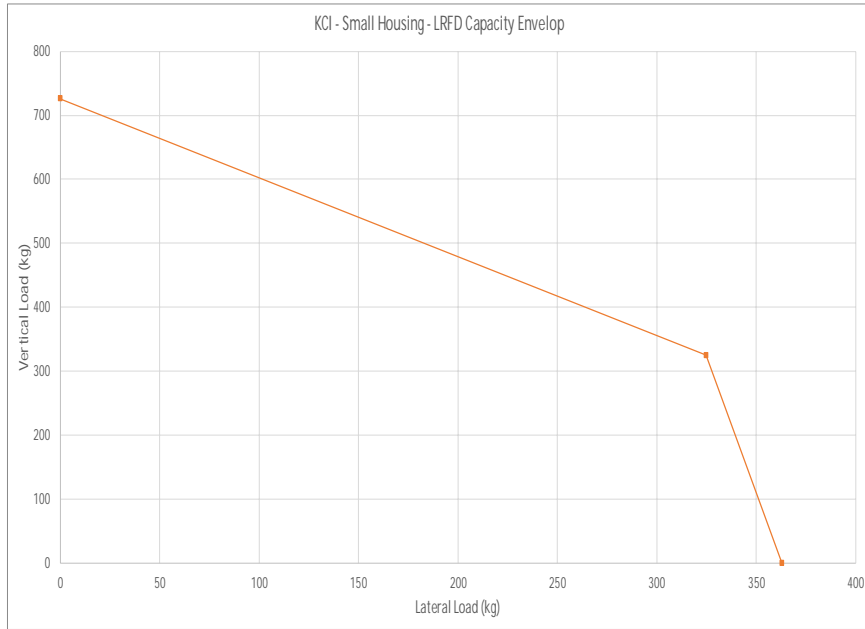


**SPECIFICATIONS:**

- VERTICALLY AND Laterally RESTRAINED SPRING ISOLATOR WITH CONSTANT FREE AND OPERATING HEIGHT AND REPLACEABLE NEOPRENE SNUBBING ELEMENTS.
- 0.125 INCHES NOMINAL CLEARANCE AT SNUBBING ELEMENTS.
- MINIMUM OVERLOAD OF 50%
- MINIMUM  $K_x/K_y$  RATIO OF 1.0.
- ALL ELEMENTS SAFE AT SOLID LOADING.
- POWDER COATED SPRING COILS AND ZINC PLATED OR HOT DIP GALVANIZED HOUSING AND MOUNT BRACKET OPTIONS.

	TITLE	REVISION DATE	REVISED BY	DRAWING NO.
	KCI-P-2 SPRING ISOLATOR	09/21/22	BB	S-01.37-121
				WEIGHT: 3.40 Lbs
				SHEET 1 OF 3

SI UNITS(mm AND kg), USE WITH SHEET 1



MODEL	SPRING						DIMENSIONS								RESTRAINT CAPACITY	
	COLOR		FREE HT.	O.D.	RATED		A	D	E	H	L	L1	L2	W	VERTICAL	HORIZONTAL
	OUTER	INNER			LOAD	DEFLECTION										
KCI-P-2-35	BLUE		105	44	16	51	13	14	25	114	178	152	167	51	726	363
KCI-P-2-70	GREEN		105	44	32	51	13	14	25	114	178	152	167	51	726	363
KCI-P-2-120	GRAY		105	44	54	51	13	14	25	114	178	152	167	51	726	363
KCI-P-2-220	BROWN		105	44	100	51	13	14	25	114	178	152	167	51	726	363
KCI-P-2-330	GRAY	WHITE	105	44	150	51	13	14	25	114	178	152	167	51	726	363
KCI-P-2-430	BROWN	WHITE	105	44	195	51	13	14	25	114	178	152	167	51	726	363
KCI-P-2-25	GRAY		127	76	11	51	19	18	44	140	267	229	217	89	726	454
KCI-P-2-50	BLUE		127	76	23	51	19	18	44	140	267	229	217	89	726	454
KCI-P-2-150	GREEN		127	76	68	51	19	18	44	140	267	229	217	89	726	454
KCI-P-2-245	BLACK		127	76	113	51	19	18	44	140	267	229	217	89	726	454
KCI-P-2-350	BEIGE		127	76	159	51	19	18	44	140	267	229	217	89	726	454
KCI-P-2-100	GRAY		155	89	45	51	19	18	44	140	267	229	217	89	726	454
KCI-P-2-135	BEIGE		155	89	61	51	19	18	44	140	267	229	217	89	726	454
KCI-P-2-185	BROWN		155	89	84	51	19	18	44	140	267	229	217	89	726	454
KCI-P-2-250	BLUE		155	89	113	51	19	18	44	140	267	229	217	89	726	454
KCI-P-2-500	GREEN		155	89	227	51	19	18	44	140	267	229	217	89	726	454



TITLE  
KCI-P-2 SPRING ISOLATOR

REVISION DATE  
09/21/22

REVISED BY  
BB

DRAWING NO. S-01.37-121 METRIC  
WEIGHT: Lbs SHEET 3 OF 3

## KCI-P Installation Instructions

1. Locate each KCI-P Isolator as specified on the Submittal Drawing.
2. Remove the Nut and Washer from the Adjustment Post.
3. Align the equipment and center the Isolator Housings on the Adjustment Post.
4. Mark the Isolator Housing attachment locations.
5. Raise the equipment and install the Isolator Housing attachment anchors or fasteners.
6. Lower the equipment and install the Nut and Washer on the Adjustment Post and tighten.
7. Adjust the KCI-P Isolator by turning the Leveling Nut 1 to 2 turns clockwise.
8. Repeat turning the Leveling Nut 1 to 2 turns clockwise on each isolator until the gap between the Isolator Housing and Rubber Snubber faces is equal on the top and bottom.
9. Do not move the KCI-P Isolators laterally with the weight of the equipment on them. Raise the equipment to remove the weight from the KCI-P Isolators before moving.

