

RDS ISOLATOR INSTALLATION INSTRUCTIONS

1. PREPARE EQUIPMENT

Jack up equipment to be isolated high enough to allow placement of the RDS mount under the equipment mounting brackets or base.

2. MOUNT TO EQUIPMENT

Attach the RDS mount to the equipment using the top threaded insert in the neoprene isolator. A nut is not necessary if the equipment mounting hole is pre-threaded. Rotate the mount as necessary to ensure the bottom anchor holes are accessible after installation.

3. ANCHOR TO STRUCTURE

Using appropriate fasteners (not supplied), anchor the RDS mount securely to the structure through the two base holes provided. Anchors must meet seismic and wind load requirements per applicable code (e.g., ASCE 7 or local jurisdiction).

Note: RDS mounts are equipped with lateral and vertical restraint. Ensure a minimum of 0.25" clearance between snubbing elements and equipment in all directions prior to loading the mount.

4. VERIFY CLEARANCES & ALIGNMENT

Confirm that the isolator snubbing elements maintain the required clearance gap before lowering the equipment. Misalignment or preload on the snubbers can reduce isolation performance and affect seismic compliance.

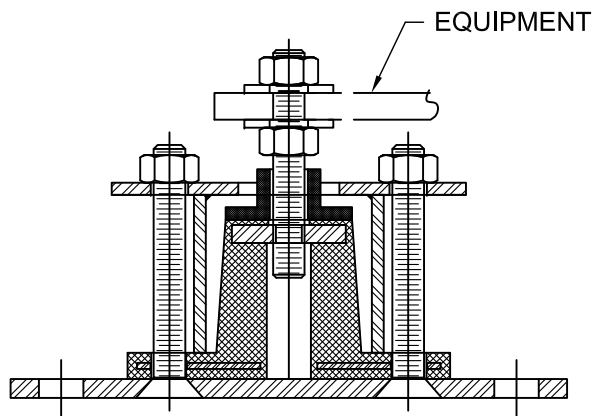
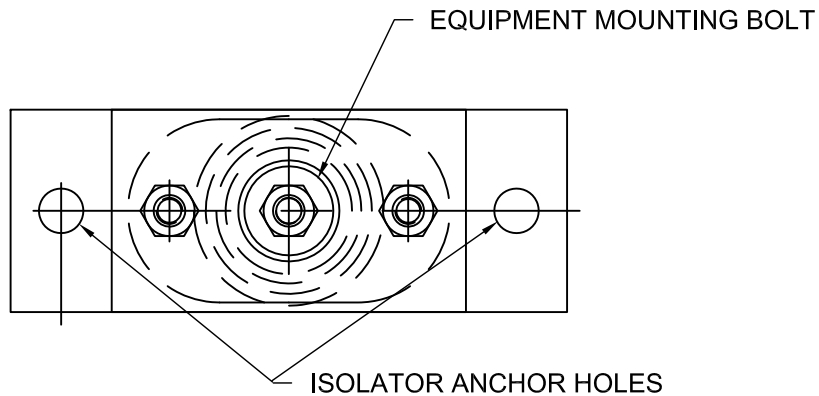
5. LOWER EQUIPMENT

Slowly lower the equipment onto the RDS isolators, ensuring uniform loading. Avoid sudden drops or tilting which could shift the isolator or preload the snubbers.

6. FINAL INSPECTION

After installation, visually inspect each mount:

- o Ensure the mount is firmly secured to both equipment and structure.
- o Verify that snubber gaps are consistent and unobstructed.
- o Check for proper orientation and that the neoprene is not pinched or overstressed.



ADDITIONAL NOTES

- RDS mounts are color-coded by capacity. Refer to the product submittal for verification.
- Powder-coated for corrosion resistance.
- Suitable for seismic and wind restraint when properly anchored and installed per code.