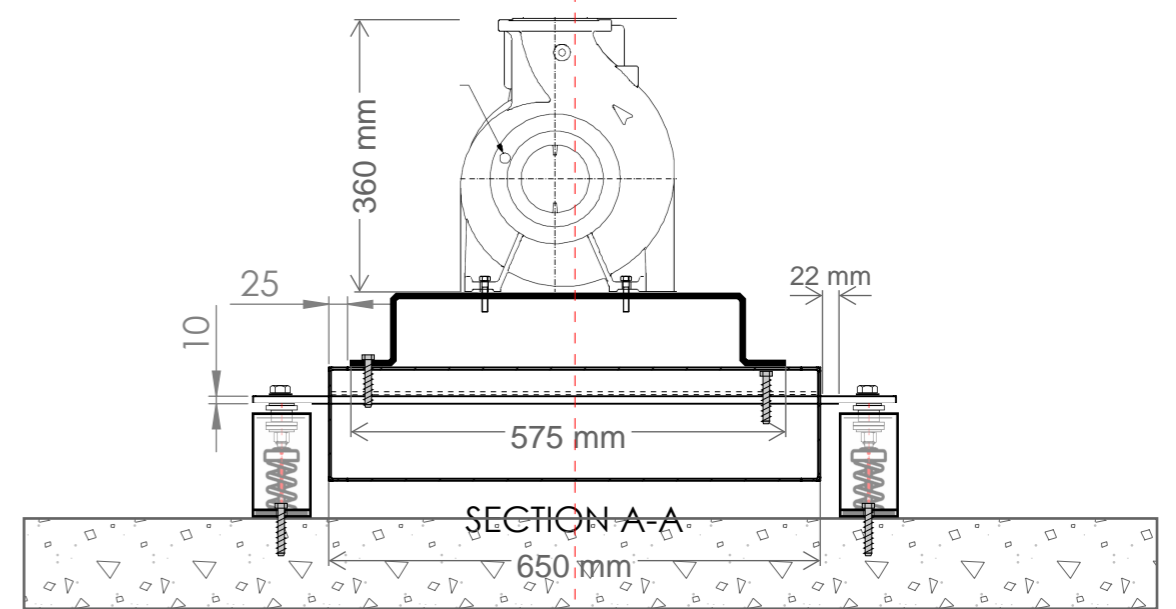
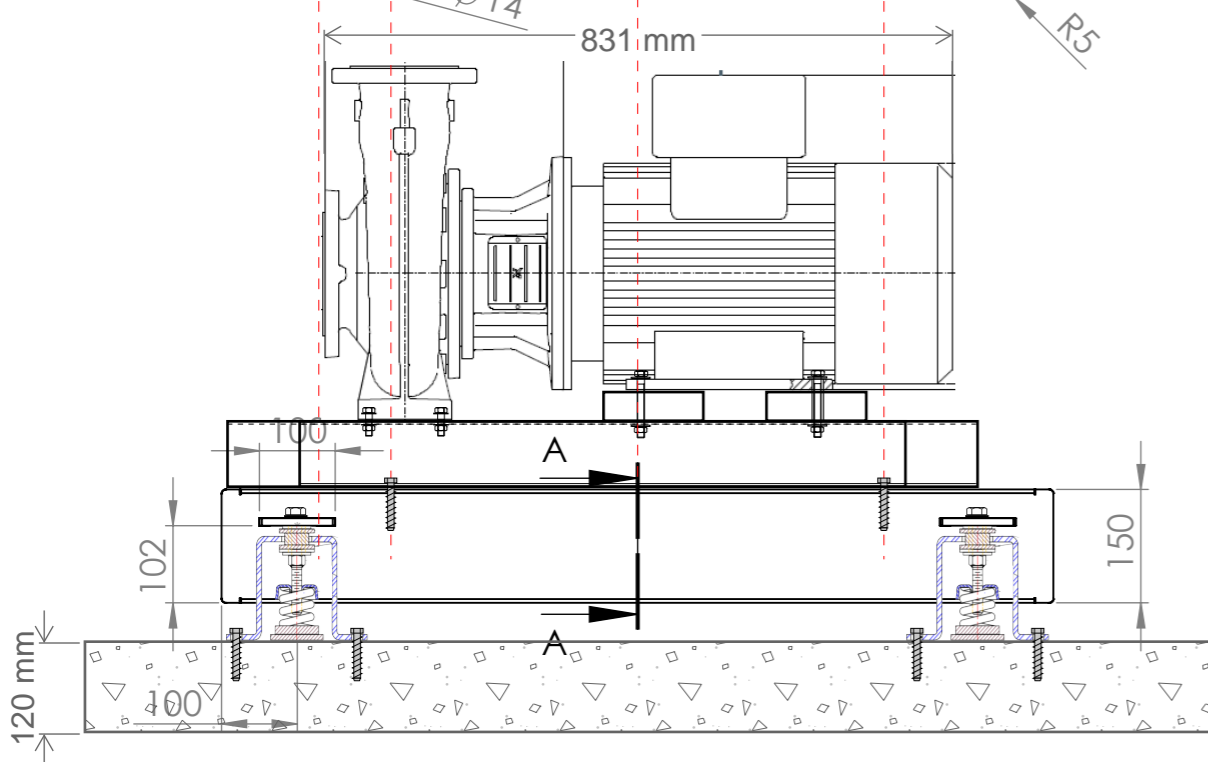
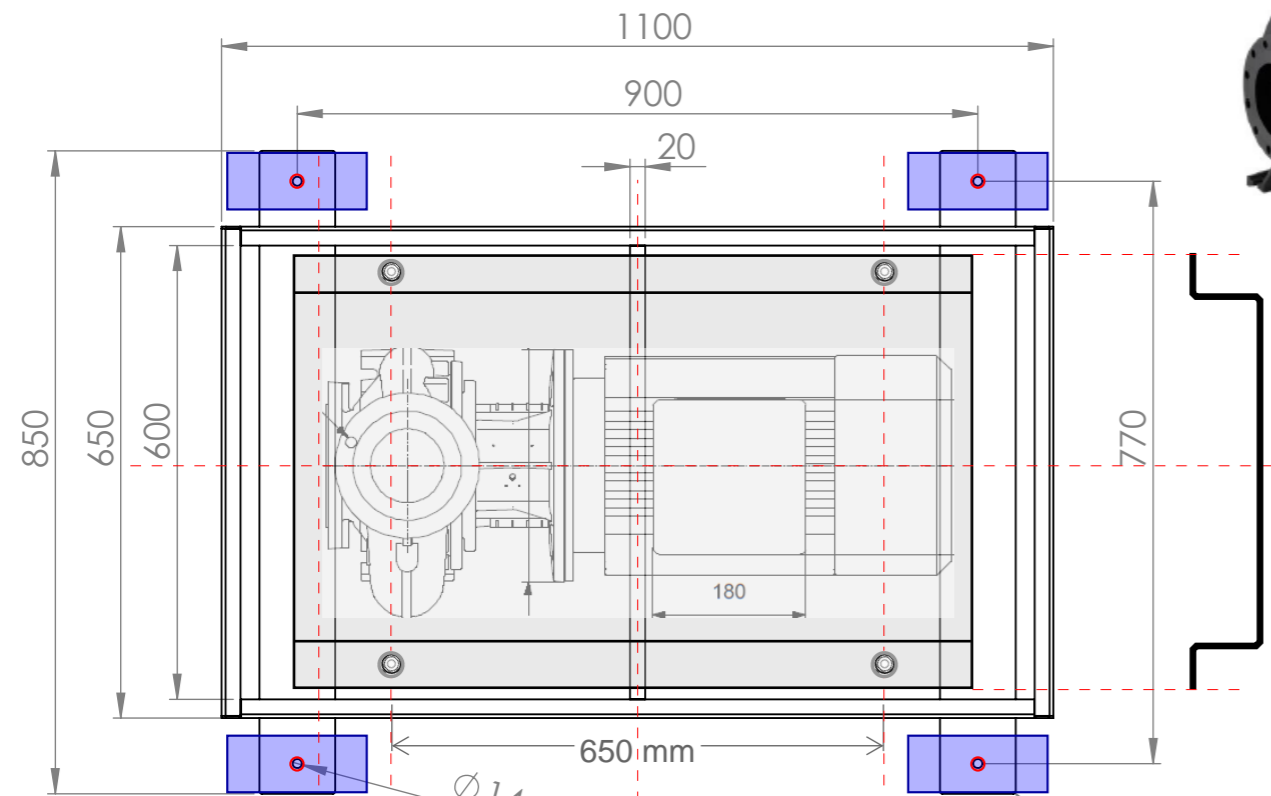
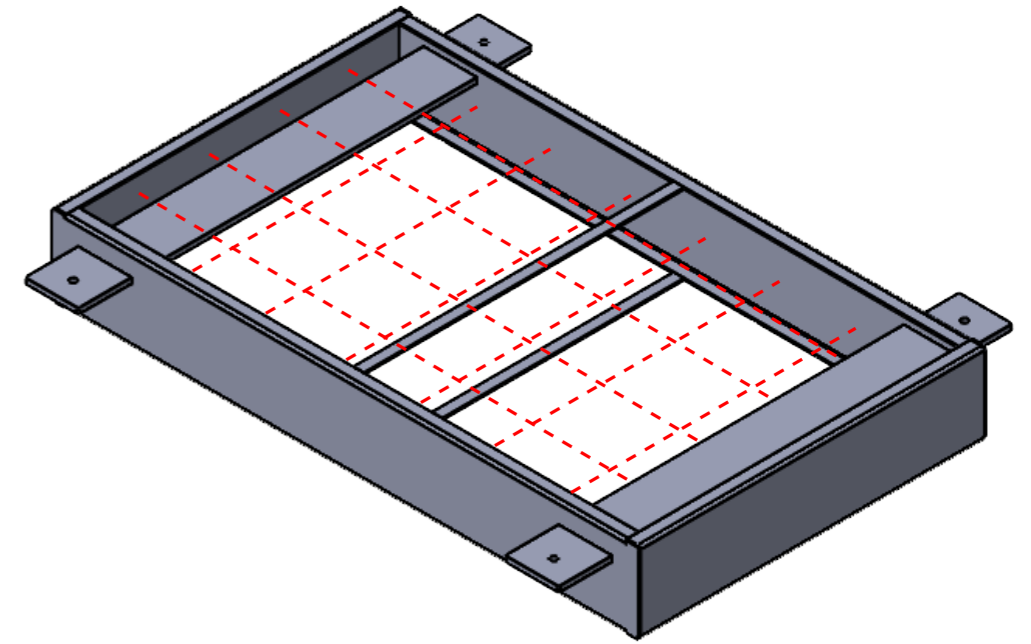
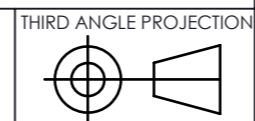


NBG 100-80-160/157 AAFE2CESBQQENW1



ALL DIMENSIONS ARE IN MM UNLESS SPECIFIED



DRAWING NAME NDH Pumps - CHWPS-001, 002, 003		QTY	SCALE 1:10
PART NAME Inertia Base 01	MATERIAL	CUSTOMER DBC	JOB NUMBER
TOLERANCES: (UNLESS SPECIFIED) SHEET METAL BENDING GENERAL X, ± 0.5mm ANGULAR ± 0.5° X.X ± 0.2mm FLANGE LENGTH ± 0.5mm LASER PROFILE ± 0.2mm	DRAWN RCH	CHECKED	DATE
	REVISION A	REVISION DATE	10-July-25